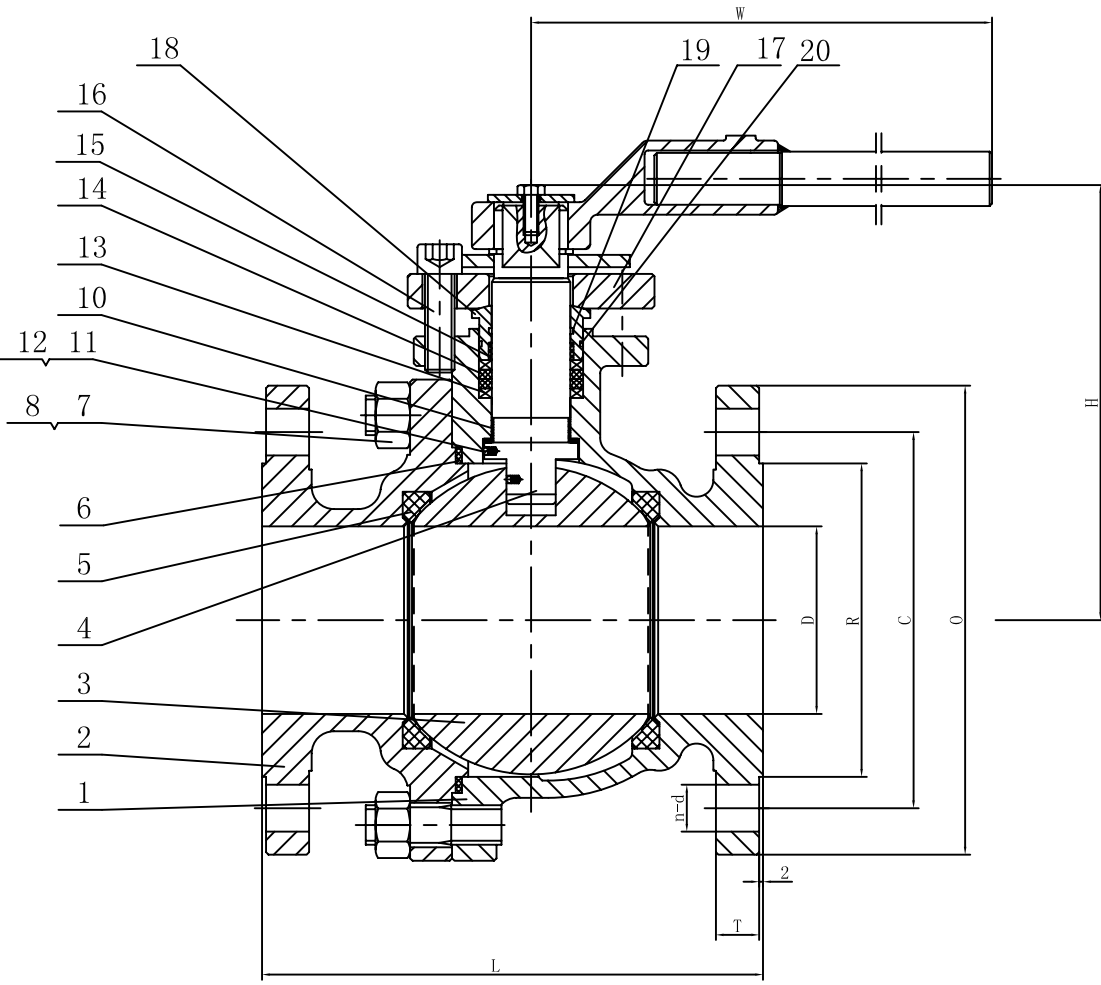
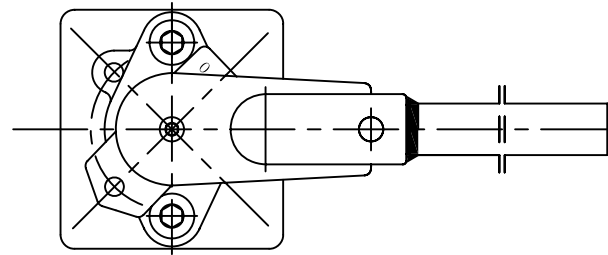


AQ1705110



ITEM	NAME (English)	MATERIAL
1	BODY	A352 LCB
2	BONNET	A352 LCB
3	BALL	A182 F304
4	STEM	A182 F304
5	SEAT	RPTFE
6	F. S WASHER	304+GRAPHITE
7	NUT	A320 7M
8	BOLT	A320 L7M
10	BEARING	RPTFE
11	SMALL STELL BALL	A276 316
12	ANTISTATIC SPRING	A276 316
13	F. S WASHER	GRAPHITE+304
14	F. S WASHER	GRAPHITE
15	BEARING	RPTFE
16	INNER HEXAGON SCREW	A320 L7M
17	GLAND FLANGE	A352 LCB
18	GLAND RING	A276 304
19	O-RING	VITON
20	O-RING	VITON

DESIGN STD.	API 6D	END CONN.	RF
PRES. & TEMP.	ASME B16.34	PRES. TEST	API 598
FACE TO FACE	ASME B16.10	END DIME.	ASME B16.5
MARKING	MSS SP-25	F. S. DESIGN	API 607
PAINTING		SPECIAL	

CLIENT INFORMATION			
REF.			
ORDER			
PROJECT			
CLIENT	Industrial & Designer Valves		
APPROVE			

FZV

ADD: WENZHOU CHINA
 HTTP: WWW.CHINA-FZV.COM
 TEL: 0577-67356851
 FAX: 0577-67358449

REV. NO.	MARKING	SIGNATURE	DATE
DESIGN	LHK	JOB NO.	
APPROVE	ZMJ	FZV NO.	AQ1705110
DATE	2017.05.12	PAGE	

TYPE:
BALL VALVE
CLASS 300

ITEM	SIZE	L	D	R	C	O	n-d	T	W	H
1	4"	305	100	157.2	200	255	8-22.5	30.2	600	196