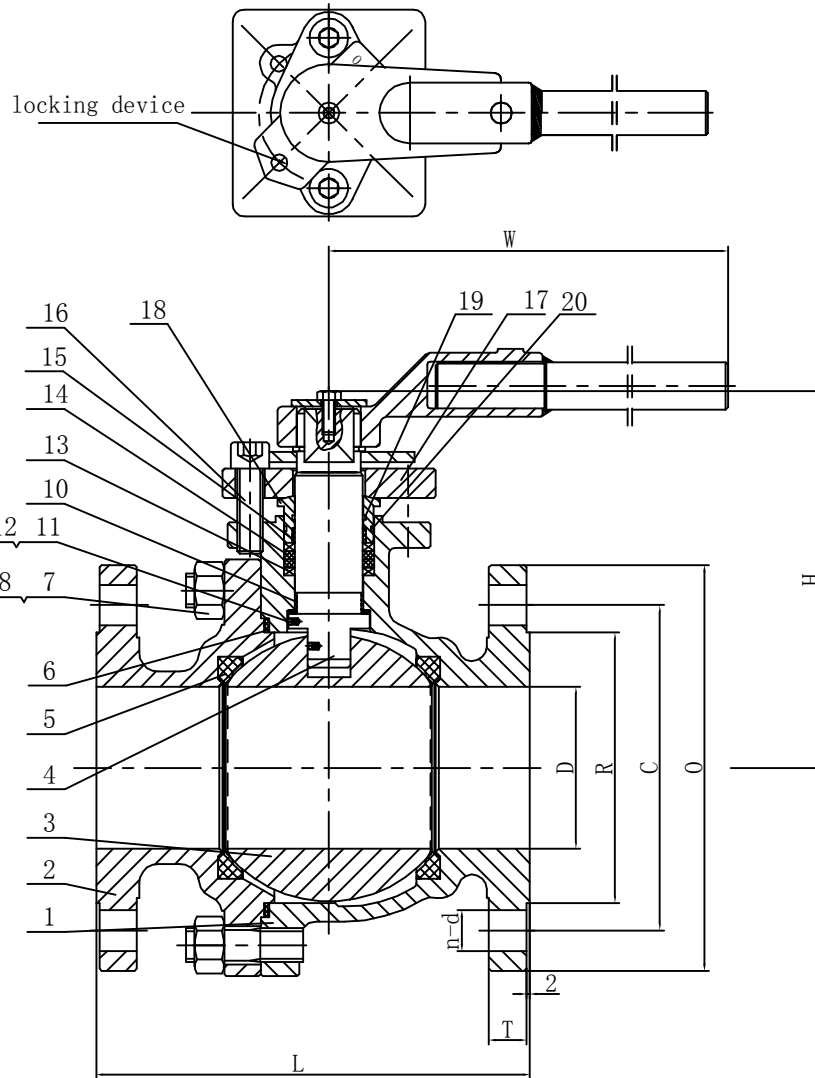


1606012



ITEM	NAME(English)	MATERIAL
1	BODY	A216 WCB
2	BONNET	A216 WCB
3	BALL	A182 F316
4	STEM	A182 F316
5	SEAT	RPTFE
6	F. S WASHER	316+GRAPHITE
7	NUT	A194 2H
8	BOLT	A193 B7
10	BEARING	RPTFE
11	SMALL STEEL BALL	A276 316
12	ANTISTATIC SPRING	A276 316
13	F. S WASHER	GRAPHITE+316
14	F. S WASHER	GRAPHITE
15	BEARING	RPTFE
16	INNER HEXAGON SCREW	A193 B7
17	GLAND FLANGE	A216 WCB
18	GLAND RING	A276 316
19	O-RING	VITON
20	O-RING	VITON

DESIGN STD.	API 6D	END CONN.	RF
PRES. & TEMP.	ASME B16.34	PRES. TEST	API 598
FACE TO FACE	ASME B16.10	END DIME.	ASME B16.5
MARKING	MSS SP-25	F. S. DESIGN	API 607
PAINTING		SPECIAL	

CLIENT INFORMATION			
REF.			
ORDER			
PROJECT			
CLIENT	Industrial & Designer Valves		
APPROVE			



ADD: WENZHOU CHINA
 HTTP: WWW.China-FZV.COM
 TEL: 0577-67356851
 FAX: 0577-67358449

REV. NO.	MARKING	SIGNATURE	DATE
DESIGN	SLX	JOB NO.	
APPROVE	ZMJ	FZV NO.	1606012
DATE	2016-6-10	PAGE	

TYPE:
 BALL VALVE
 CLASS 150

UNIT: mm

ITEM	SIZE	L	D	R	C	O	n-d	T	W	H
11	2 1/2"	190	62	104.8	139.7	180	4-19	15.9	320	146
7	3"	203	76	127	152.4	190	4-19	17.5	400	176