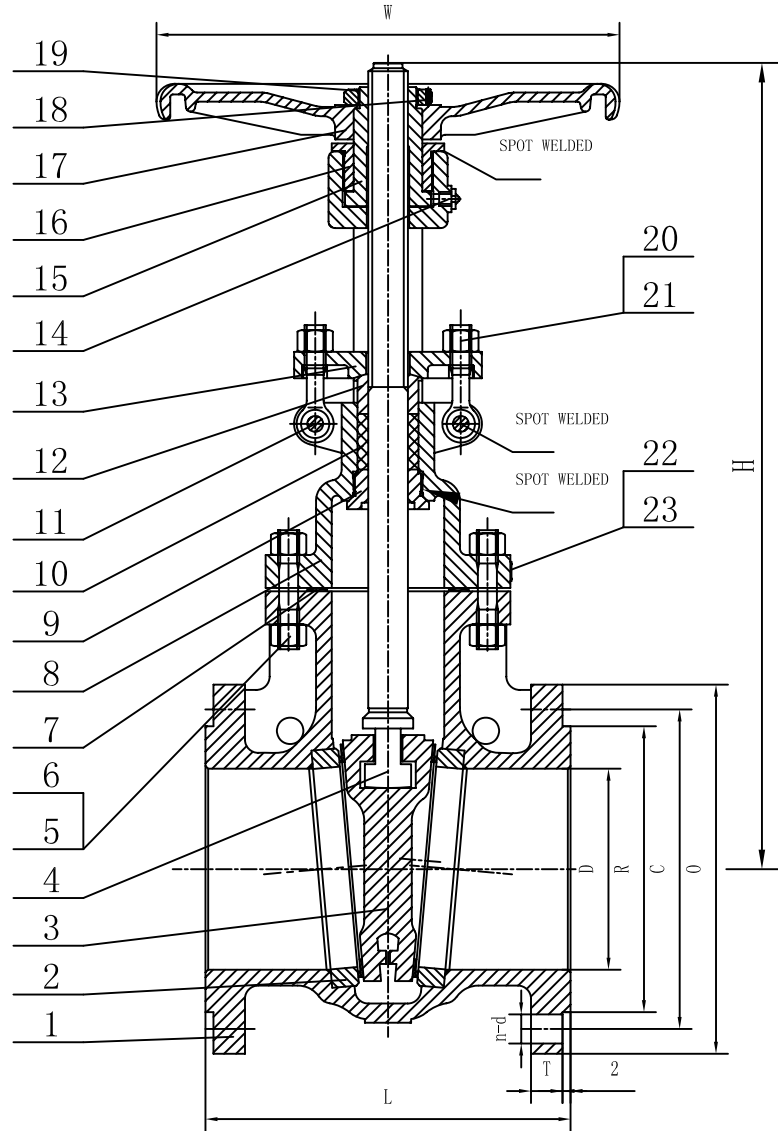
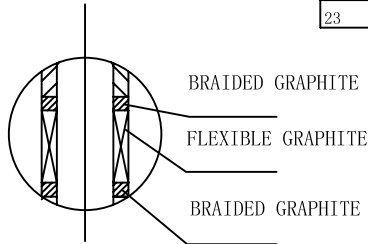
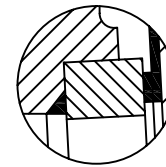


AQ1411016



ITEM	NAME	MATERIAL
1	BODY	A216 WCB
2	SEAT	A105+STL6
3	WEDGE	A216 WCB+13Cr
4	STEM	A182 F6a
5	NUT	A194 2H
6	STUD	A193 B7
7	GASKET	304+FLEXIBLE GRAPHITE
8	BONNET	A216 WCB
9	BACK SEAT	A182 F6a
10	PACKING	FLEXIBLE GRAPHITE+BRAIDED GRAPHITE
11	PIN	CS
12	GLAND RING	A276 410
13	GLAND FLANGE	A216 WCB
14	OIL CUP	Cu
15	STEM NUT	C95200
16	BEARING GLAND	CS
17	HANDWHEEL	A216 WCB
18	LOCKING SCREW	SS
19	LOCKING NUT	CS
20	NUT	A194 2H
21	EYELET BOLT	A193 B7
22	NAME PLATE	A276 304
23	RIVET	SS

WELDED SEAT



ITEM	Size	L	D	R	C	O	T	n-d	w	H (CL)	H(OP)
2	2"	178	51	92.1	120.7	150	14.3	4-19	250	361	438
3	2.5"	190	64	104.8	139.7	180	15.9	4-19	250	400	478
4	3"	203	76	127	152.4	190	17.5	4-19	280	435	525
5	4"	229	102	157.2	190.5	230	22.3	8-19	300	522	620
6	6"	267	152	215.9	241.3	280	23.9	8-22.5	350	610	780
7	8"	292	203	269.9	298.5	345	27.0	8-22.5	400	750	970

DESIGN STD.	API 600	END CONN.	RF
PRES. & TEMP.	ASME B16.34	PRES. TEST	API 598
FACE TO FACE	ASME B16.10	END DIME.	ASME B16.5
MARKING	MSS SP-25	F. S. DESIGN	
PAINTING		SPECIAL	

CLIENT INFORMATION			
REF.			
ORDER			
PROJECT			
CLIENT	IDV		
APPROVE			
REV. NO.	MARKING	SIGNATURE	DATE
DESIGN	LJJ	JOB NO.	
APPROVE		FZV NO.	AQ1411016
DATE	2014-11-18	PAGE	p 1

**FZV**

ADD: WENZHOU CHINA  
 HTTP: WWW.China-FZV.COM  
 TEL: 0577-67356851  
 FAX: 0577-67358449

TYPE:  
 GATE VALVE  
 CLASS 150