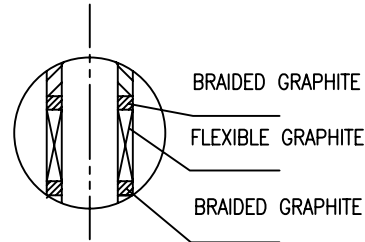
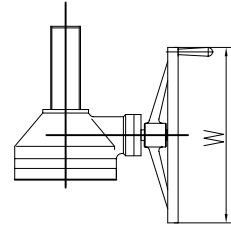
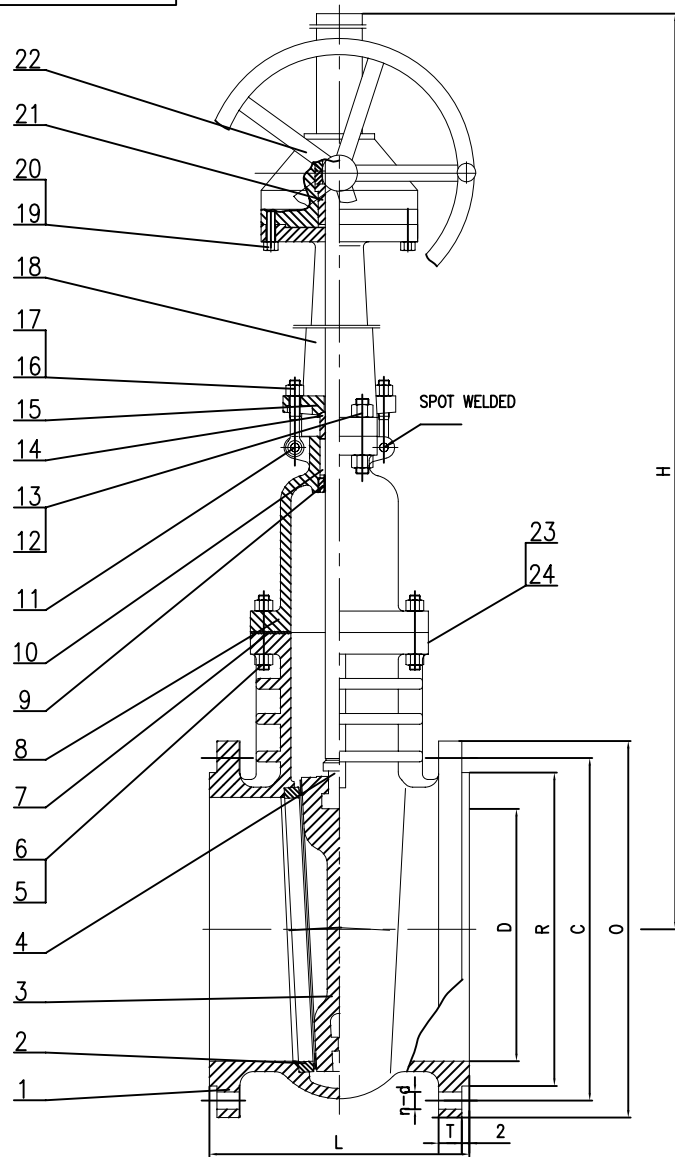
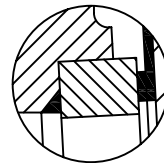


AQ1411016



WELDED SEAT



ITEM	NAME	MATERIAL
1	BODY	A216 WCB
2	SEAT	A105+STL
3	WEDGE	A216 WCB+13Cr
4	STEM	A182 F6a
5	NUT	A194 2H
6	STUD	A193 B7
7	GASKET	304+FLEXIBLE GRAPHITE
8	BONNET	A216 WCB
9	BACK SEAT	A182 F6a
10	PACKING	FLEXIBLE GRAPHITE+BRAIDED GRAPHITE
11	PIN	CS
12	NUT	A194 2H
13	STUD	A193 B7
14	GLAND RING	A276 410
15	GLAND FLANGE	A216 WCB
16	NUT	A194 2H
17	EYELET BOLT	A193 B7
18	YOKE	A216 WCB
19	STEM	A193 B7
20	NUT	A194 2H
21	STEM NUT	C95200
22	GEAR BOX	A216 WCB+CS
23	NAME PLATE	A276 304
24	RIVET	SS

ITEM	Size	L	D	R	C	O	T	n-d	W	H
10	16"	406	388	469.9	539.8	595	35.0	16-28.5	460	1840
11	24"	508	591	692.2	749.3	815	46.1	20-35	530	1200

DESIGN STD.	API 600	END CONN.	RF
PRES. & TEMP.	ASME B16.34	PRES. TEST	API 598
FACE TO FACE	ASME B16.10	END DIME.	ASME B16.5
MARKING	MSS SP-25	F.S. DESIGN	
PAINTING		SPECIAL	

CLIENT INFORMATION			
REF.			
ORDER			
PROJECT			
CLIENT IDV			
APPROVE			

FZV

ADD: WENZHOU CHINA
 HTTP:WWW.China-FZV.COM
 TEL:0577-67356851
 FAX:0577-67358449

REV. NO.	MARKING	SIGNATURE	DATE
DESIGN	LJJ	JOB NO.	
APPROVE	-	FZV NO.	AQ1411016
DATE	2014-11-18	PAGE	P 1

TYPE:
GATE VALVE

CLASS 150